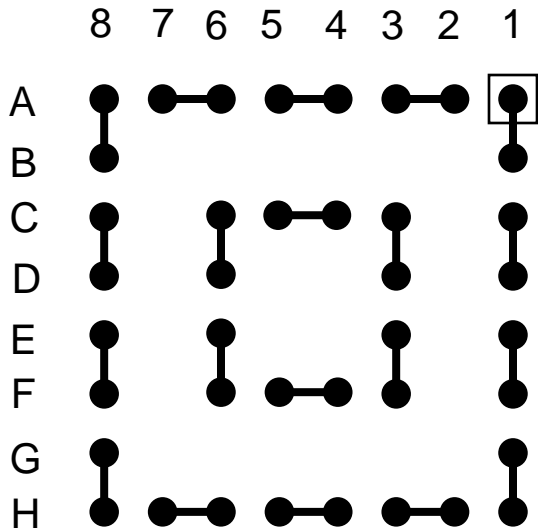
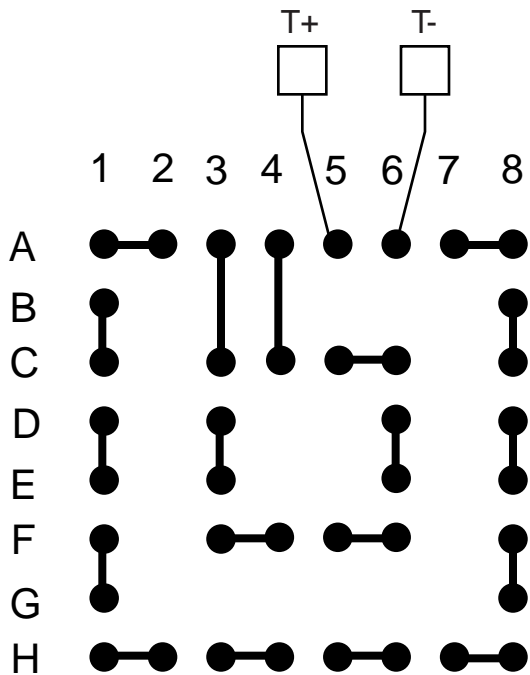
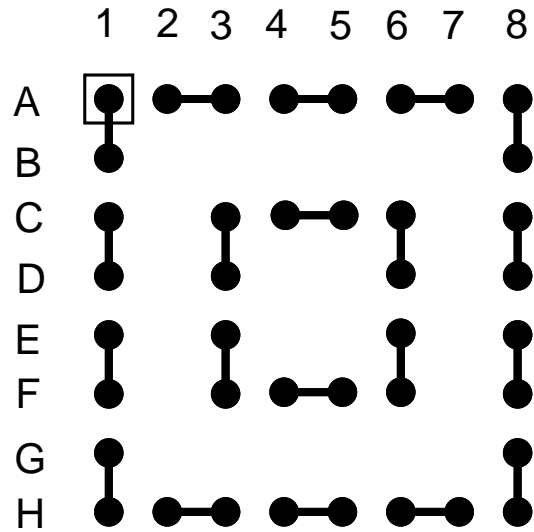


<u>BALLS</u>	<u>PITCH</u>	<u>SIZE</u>	<u>MATRIX</u>	<u>ROWS</u>	<u>CENTER</u>	<u>MAT'L</u>
40	0.5mm	5mm SQ	8 x 8	2	none	BT

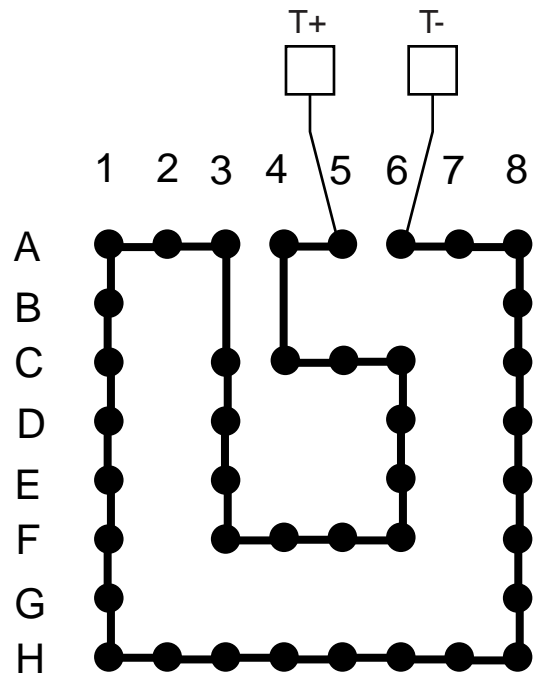
BALL VIEW



BOTTOM SIDE (TOP X-RAY VIEW)



TEST VEHICLE BOARD



AFTER MOUNTING TO TEST BOARD

CSP40T.5C-DC082 Lead Free

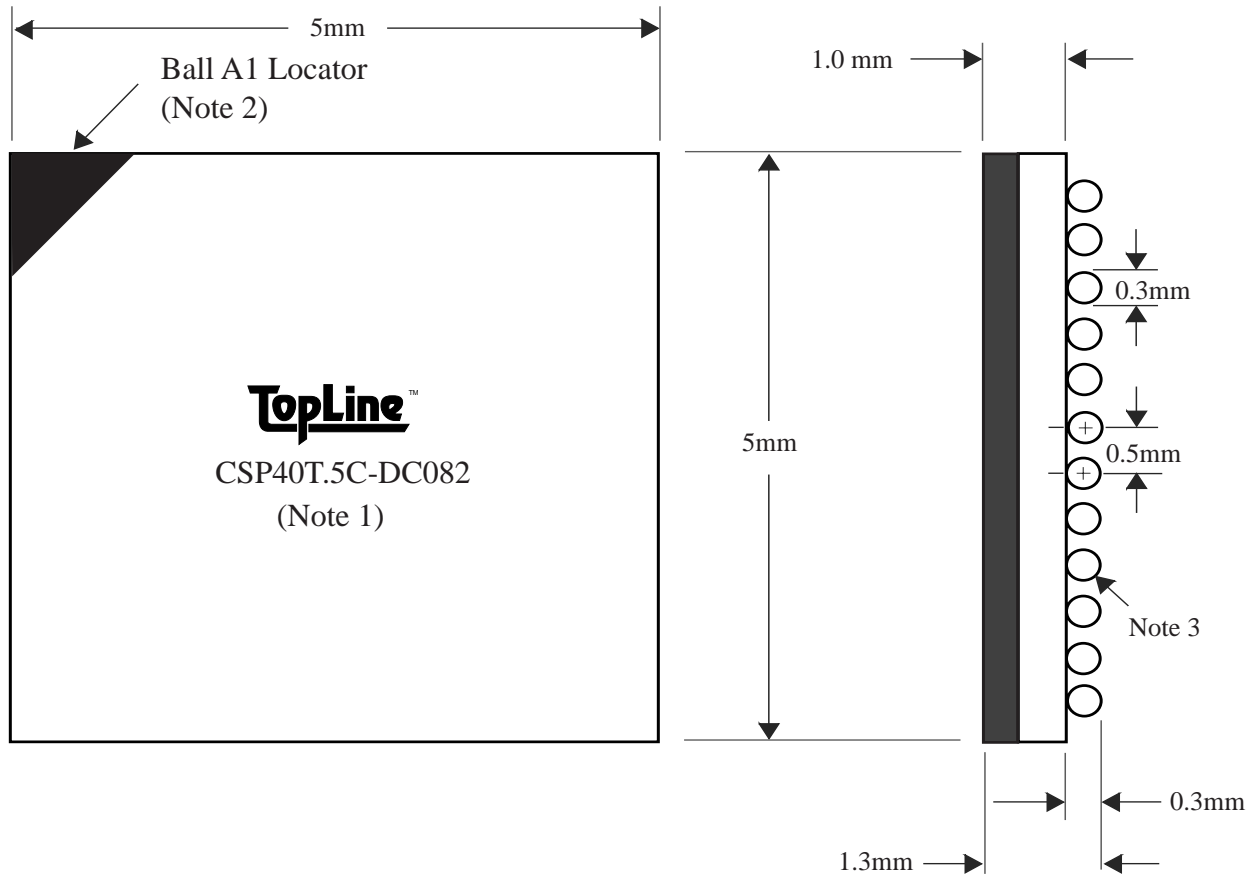


TEL 1-714-898-3830
info@topline.tv

<u>BALLS</u>	<u>PITCH</u>	<u>SIZE</u>	<u>MATRIX</u>	<u>ROWS</u>	<u>CENTER</u>	<u>MAT'L</u>
40	0.5mm	5mm SQ	8 x 8	2	none	BT

TOP VIEW

SIDE VIEW



NOTES		REVISIONS	
Note 1	Logo and part number centered	Rev	Date Changes
Note 2	Ball A1 locator mark positioned in corner		
Note 3	Ball Material: Sn95.5/Ag4.0/Cu0.5		
Note 4	Substrate Material: BT Laminate		
		PACKAGING TRAYS	
		Tray BGATRAY5mm-16x39 Tray Quantity 624	