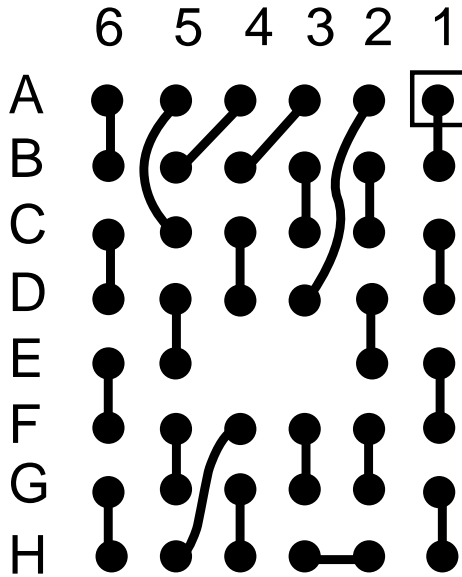
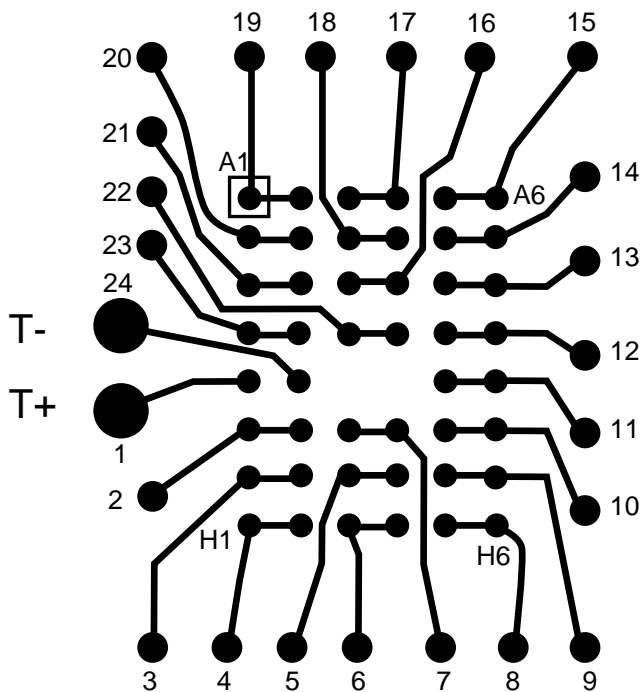
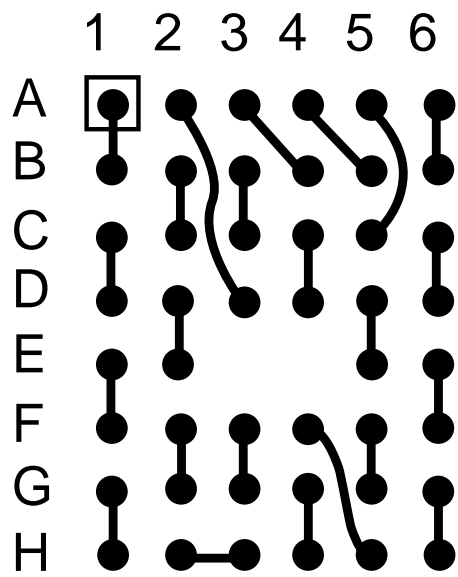


<u>BALLS</u>	<u>PITCH</u>	<u>SIZE</u>	<u>MATRIX</u>	<u>ROWS</u>	<u>CENTER</u>	<u>MAT'L</u>
46	0.75mm	6 x 7mm	6 x 8	full	full	BT

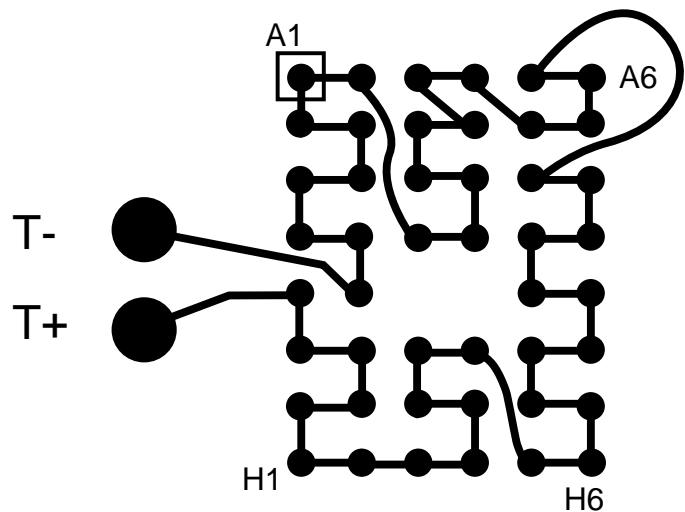
BALL VIEW



BOTTOM SIDE (TOP X-RAY VIEW)



TEST VEHICLE BOARD



AFTER MOUNTING TO TEST BOARD

BGA46T.75C-DC24 Lead Free

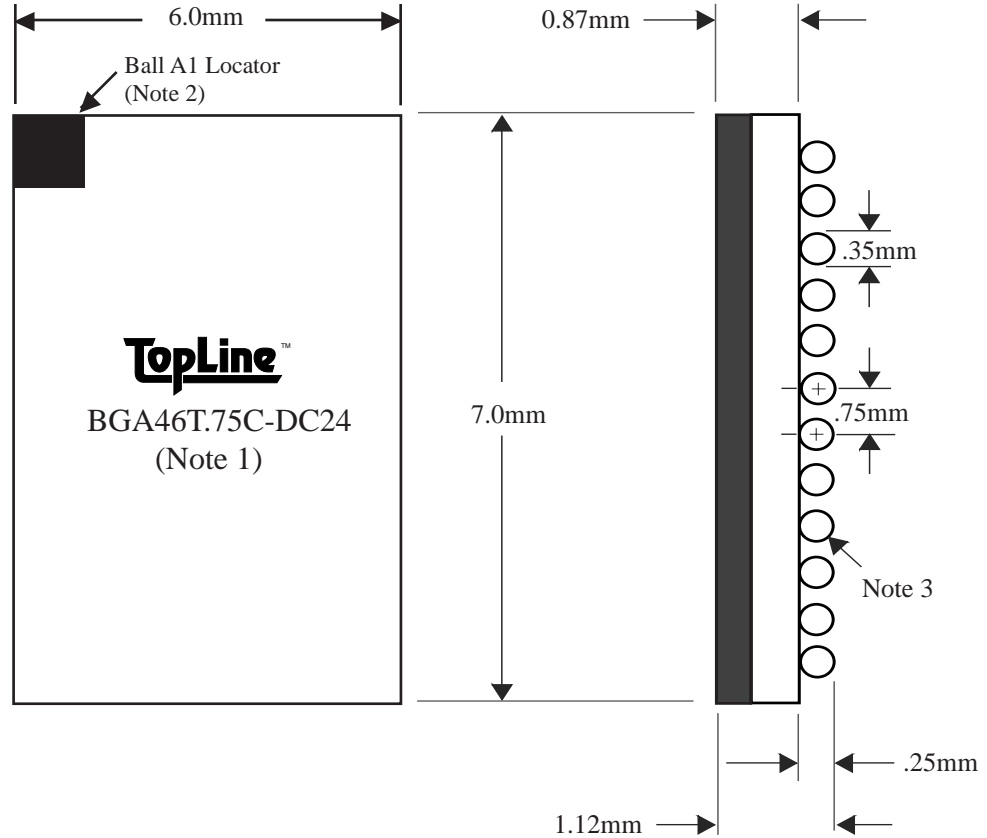


TEL 1-714-898-3830
info@toplinedummy.com

<u>BALLS</u>	<u>PITCH</u>	<u>SIZE</u>	<u>MATRIX</u>	<u>ROWS</u>	<u>CENTER</u>	<u>MAT'L</u>
46	0.75mm	6 x 7mm	6 x 8	full	full	BT

TOP VIEW

SIDE VIEW



NOTES		REVISIONS	
Note 1	Logo and part number centered	<u>Rev</u>	<u>Date</u> <u>Changes</u>
Note 2	Ball A1 locator mark positioned in corner		
Note 3	Ball Material: SnAgCu		
Note 4	Substrate Material: BT Laminate		
		PACKAGING TRAYS	
		Tray BGATRAY6x7mm-10x16 Tray Quantity 160	